

LED Linear Light



IMPORTANT:

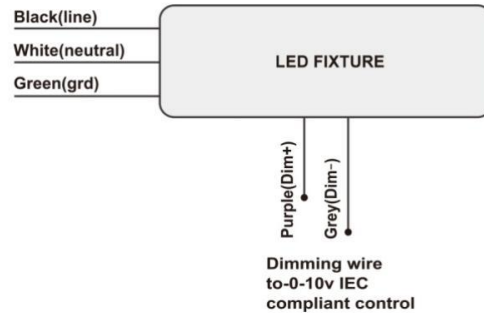
Before assembling your fixture, please make sure that you carefully read through this instruction sheet. Consider having your fixture installed by a qualified licensed electrician.

Note: The important safeguards and instructions that appear in this sheet are not meant to cover all possible conditions and situations that may occur. It must be understood that common sense, caution, and care are factors that cannot be built into any product. These factors must be supplied by the person(s) caring for and operating the fixture.

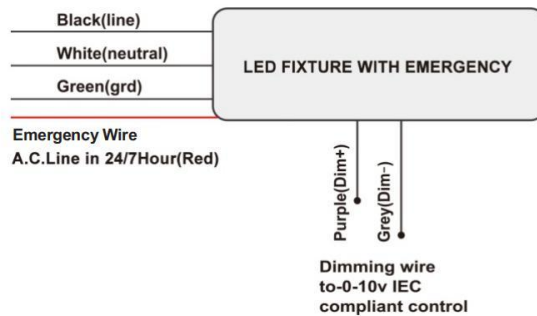
WARNING:

- Turn off electrical power at fuse or circuit breaker box before wiring fixture to the power supply.
- Turn off the power when you perform any maintenance.
- Verify that supply voltage is correct by comparing it with the luminaire label information.
- Modifications to the product voids the warranty.

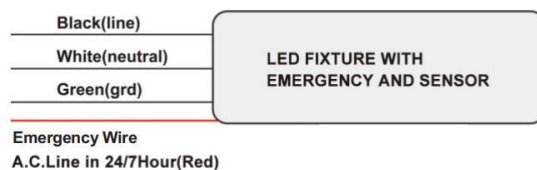
General Wiring Diagram



Wiring Diagram With Emergency



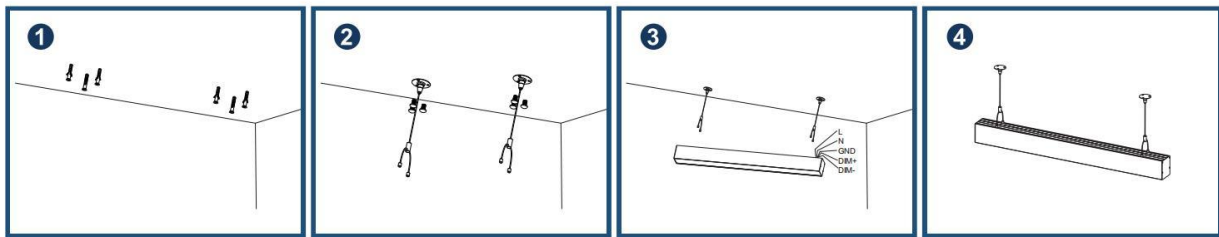
Wiring Diagram With Emergency and Sensor



Note:

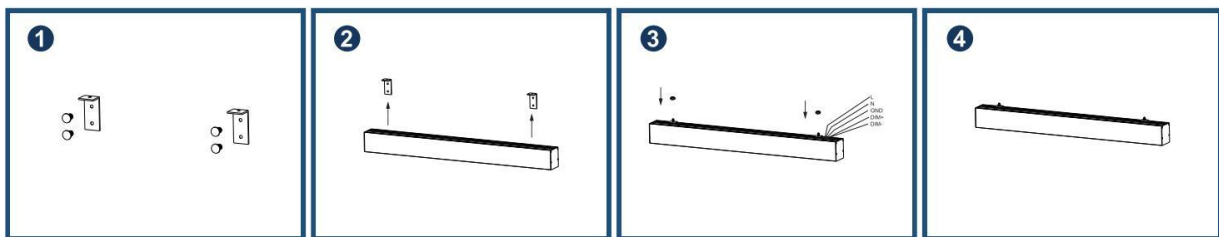
In the case of 208 or 240 line voltage, the 2nd hot leg will be connected to the white lead coming from the fixture.

Chain Hang Installation



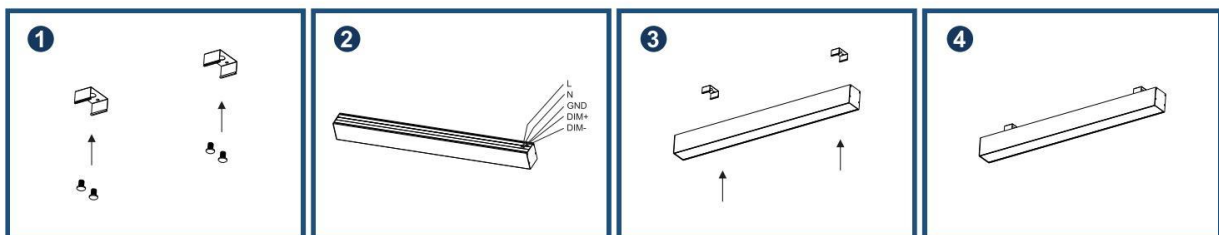
1. Drill hole in the ceiling, and push rubber plug into the hole.
2. Aim at the position of rubber plug hole, fix and lock the hanging rope with screws.
3. The lifting rope screw and the fixture screw are locked, the wiring in accordance to the wiring diagram in these specifications.
4. Insert the wire terminal joint to the wire entry, installation completed.

Wall Installation



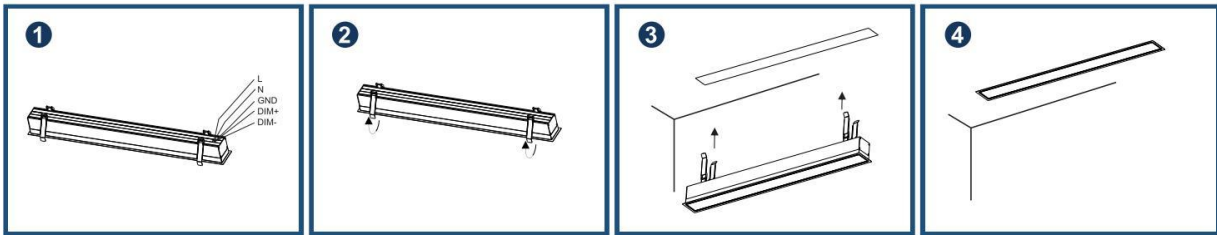
1. Drill hole in the wall, and push rubber plug into the hole, screw the wall to secure the bracket.
2. The fixture and fixing bracket aiming.
3. Screw the wall to secure the brackets and fixture, the wiring in accordance to the wiring diagram in these specifications.
4. Insert the wire terminal joint to the wire entry, installation completed.

Surface Mount Installation



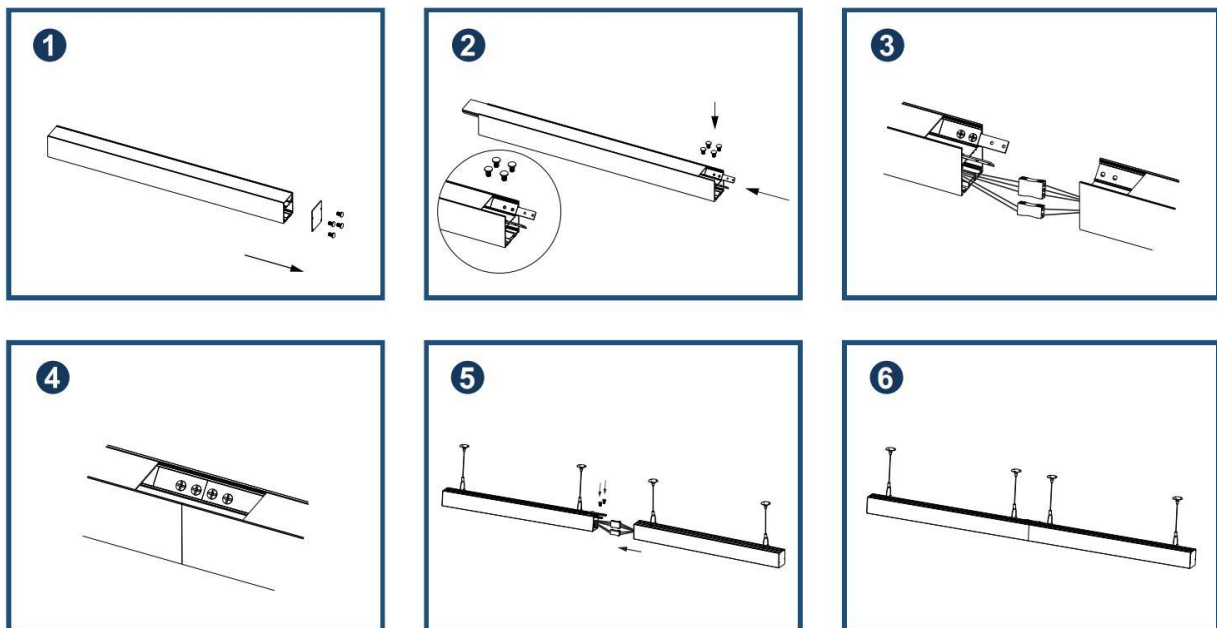
1. Bolt the brackets to ceiling, beam, joist or rain (bolts not included).
2. Connect the wiring in accordance to the wiring diagram in these specifications. If dimming is not required, then keep caps on dimming leads.
3. Attach the fixture to the bracket, screws per each side of the bracket.
4. Insert the wire terminal joint to the wire entry, installation completed.

Recessed Installation



1. Connect the wiring in accordance to the wiring diagram in these specifications. if dimming is not required, then keep caps on
2. Turn the back spring of the light fixture upwards.
3. Push the lamp into slot.
4. Insert the wire terminal joint to the wire entry, installation completed.

Linkable Installation



1. Remove the end of caps on both sides of the fixture.
2. Connect the two terminals.
3. Move the white reflector paper to one side to see the 4 holes.
4. Insert the two Aluminium Alloy connectors into both sides of the fixture and aim at the 4 holes.
5. Aim the hole with a screw and tighten it with a screwdriver.
6. Get another lamp ready, align 4 screws to the holes and tighten with a screwdriver.
7. Stretch the white reflector paper to its original position, shown as below.
8. Insert the connector on the back of the lamp, lock the 8 screws, and complete the connection and installation.