

HB5 Series LED Linear Highbay



- With LM79 & LM80;
- 2ft:110W MIN 4ft: 220W MAX available.
- Luminous efficacy: 135lm/w
- Superior isolated driver: 0-10V dimming; Flicker free
- PF 0.90; Driver efficiency 87%; THD<20%
- Installation: Chain Mount, Surface & pole Mount
- Apply to dry location
- Input Voltage:120-277v,120-347V,277-480v
- CCT:4000K 5000K
- ETL CETL, FCC certification
- 5 years warranty

The HB5 series is an affordable LED high bay with a DLC Premium rating. Available in 110, 135, 165 and 220 watts it can be bought with or without a factory installed microwave sensor. Perfect for both large and small jobs the HB5 can be surface mounted, hung or pendant mounted. LED Linear high bays are the ideal choice for warehouses, factories, gymnasiums, stores and industrial facilities.



Image Show



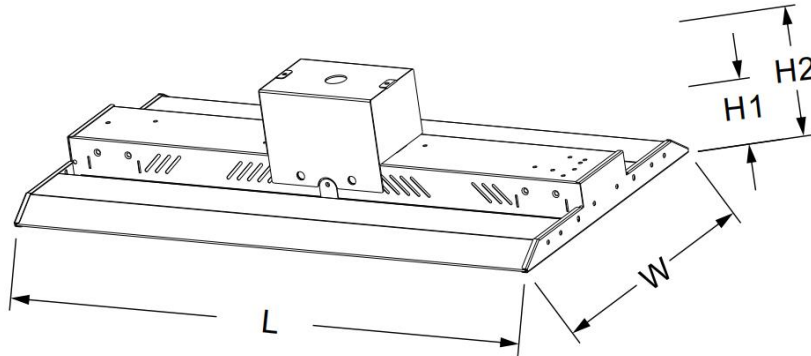
Product Range



Family	Modification	Watts	Size	Voltage	CCT	Driver	Motion Sensor	Emergency	cord types
RDS	HB5	XX	X	AAA	CCC	C	X	Y	G
LED high bay	HB5	110W	2= 2ft	277=120-277V	40K = 4,000 K	A=ARC	S=with Sensor	E=with Emergency	C=with Supply Cord
		135W	4= 4ft	347=120-347V	50K = 5,000 K	A=ARC	Black=Without Sensor	Black=without Emergency	Blank=without Supply Cord
	165W		480=277-480V		S=Sosen				
	220W								

Model	Size	Watts	Dimming	CCT	Lumens/W	Dimensions (LxWxH)
RDS-HB5-110W-2FTAAA-CCC	2 ft	110 W	YES	5,000 K	14,850 lm	23.8x12.6x1.89"
RDS-HB5-135W-2FTAAA-CCC	2 ft	135 W	YES	5,000 K	18,225 lm	23.8x12.6x1.89"
RDS-HB5-165W-2FTAAA-CCC	2 ft	165 W	YES	5,000 K	22,275 lm	23.8x12.6x1.89"
RDS-HB5-165W-4FTAAA-CCC	4 ft	165 W	YES	5,000 K	22,275 lm	45.9x12.6x1.89"
RDS-HB5-220W-4FTAAA-CCC	4 ft	220 W	YES	5,000 K	29,700 lm	45.9x12.6x1.89"

Dimensions



Part No.	L(inch)	W(inch)	H1(inch)	H2(inch)
RDS-HB5-110W-2FTAAA-CCC	23.8"	12.6"	1.89"	3.54"
RDS-HB5-135W-2FTAAA-CCC	23.8"	12.6"	1.89"	3.54"
RDS-HB5-165W-2FTAAA-CCC	23.8"	12.6"	1.89"	3.54"
RDS-HB5-165W-4FTAAA-CCC	23.8"	17.3"	1.89"	3.54"
RDS-HB5-220W-4FTAAA-CCC	45.9"	12.6"	1.89"	3.54"

Product Packing

Part No.	Power	Qty/Carton(pcs)	Carton Size	Net weight	Gross Weight
RDS-HB5-110W-2FTAAA-CCC	110W	2	66*20*39CM	8.2Kg	9.7Kg
RDS-HB5-135W-2FTAAA-CCC	135W	2	66*20*39CM	8.3Kg	9.8Kg
RDS-HB5-165W-2FTAAA-CCC	165W	2	66*20*39CM	8.8Kg	9.3Kg
RDS-HB5-165W-4FTAAA-CCC	165W	2	122*20*39CM	12.9kg	15.1kg
RDS-HB5-220W-4FTAAA-CCC	220W	2	122*20*39CM	13kg	15.2kg